

### Electrical specifications

Order information	
Type	CMS-SSR24A
Cat. no.	16038.2
Input data	
Channels	2
Input voltage	9..36Vdc / 10..26.4Vac
Input current	10mA <sub>dc</sub> / 20mA <sub>ac</sub>
Output data	
Voltage output	0..50 Vdc / 0..30Vac
Max. switching current	24A
Isolation voltage Input-output	2,5kV, 50Hz, 1min.
Voltage drop @ max. load	120mV
Leakage current	<60µA @ 25°C
Switch on delay time typical	< 15ms
Switch off delay time typical	< 10ms
Max switching frequency	2 Hz
General data	
Operating / storage temperature	0°C...+50°C / -20°C...+70°C
CE marking	EMC Directive 2004/108/EC, according requirements of EN 55011 and EN 61326-1
Size (L x W x H) with TS 35 x 7.5	93,1 x 6,2.102,5 mm
Conductor cross section	0,2 - 2,5 mm <sup>2</sup>
Connection system	screw clamp (high current type)
Insulation stripping length	12 mm
Mounting position	horizontal
Mounting distance	total current for both channels: <32A: none; >32A: 20mm distance between modules

### Manual



The CMS-SSR24A solid state relay module has versatile inputs and outputs. Both input and output accept DC and AC voltages, in any combination.

The output is extremely rugged, and handles currents up to 24A. The output voltage drop at maximum load is ultra low. This results in low heat dissipation.

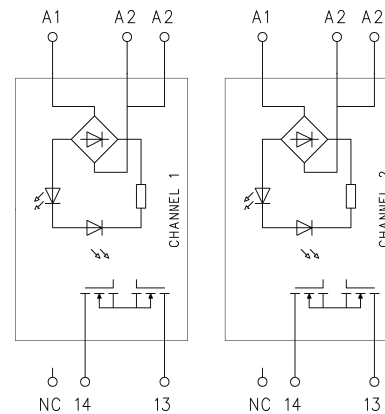
The CMS-SSR24A is a 2-channel module. Both channels are identical.

Each channel has a yellow Led which lights up when the output is switched on.

The module is 17,5mm wide and can be snapped onto standard DIN-rail TS35.

#### Features:

- Input AC/DC operation
- Output AC/DC operation
- AC/AC - AC/DC - DC/DC - DC/AC switching
- Output current 24A max.
- Ultra low output voltage drop

**Configuration****Connection diagram****Connecting the module**

The pin configuration for I/O connection is shown on the top of the module.  
The yellow Led on top indicates switched ON.