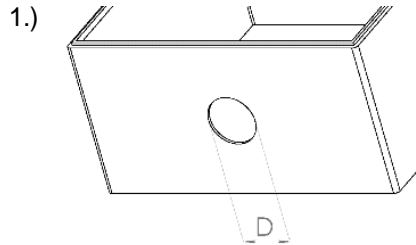
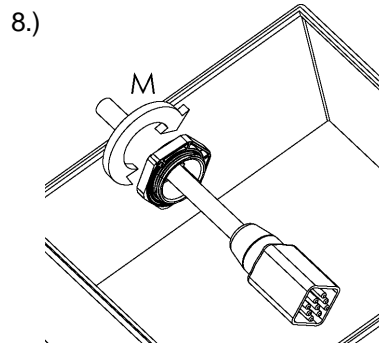
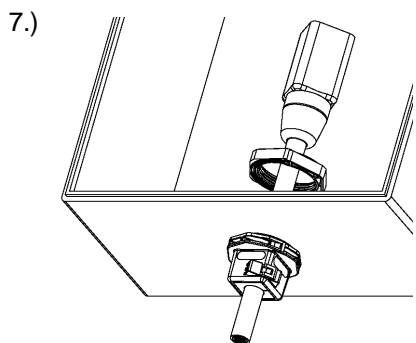
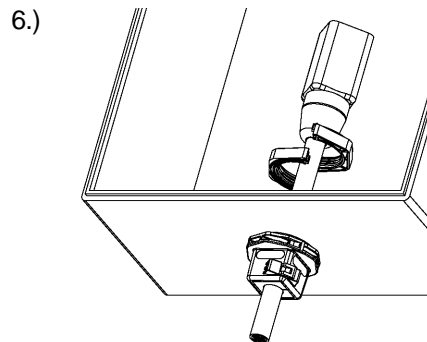
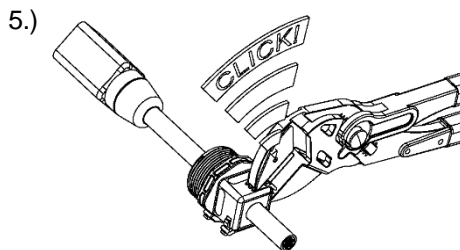
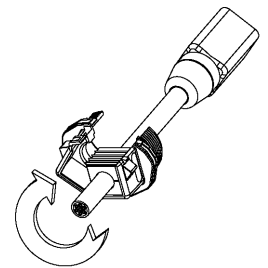
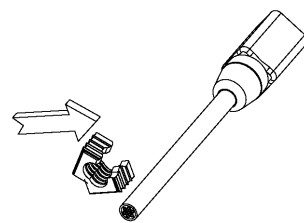
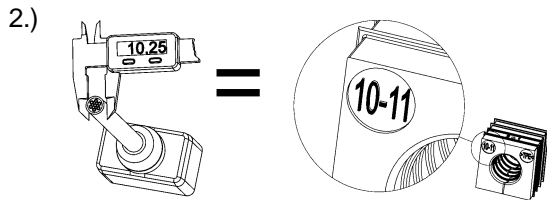


MONTAGEANLEITUNG KDS-KV / MOUNTING INSTRUCTION KDS-KV

CONTA-CLIP Verbindungstechnik GmbH
Otto-Hahn-Str. 7
33161 Hövelhof



Type	D [mm]
KDS-KV M20	20 + 0,2
KDS-KV M25	25 + 0,2
KDS-KV M32	32 + 0,2
KDS-KV M40	40 + 0,3
KDS-KV M50	50 + 0,3
KDS-KV M63	63 + 0,3



Type	M [Nm]
KDS-KV M20	3,0
KDS-KV M25	3,0
KDS-KV M32	3,0
KDS-KV M40	7,0
KDS-KV M50	7,0
KDS-KV M63	7,0